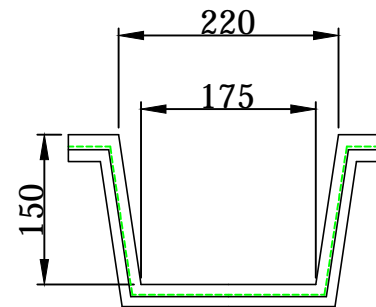


Headwall sections can be mixed to achieve overall length required.



SECTION X-X

- NOTES:**
- All dimensions in mm U.O.S
 - All measurements ± 1mm
- Material**
- Characteristic compressive strength of Glass Reinforced Concrete = 60N/mm²
 - Characteristic flexural strength of Glass Reinforced Concrete = 6N/mm²
 - Free water Cement ratio: <0.55
 - Glass fibres - 63kg/m³
 - Specification: XA2, DS2, DC2



ADDRESS: JKH LIMITED
HAMPSTEAD AVENUE
MILDEWALL
IP28 7AS

TEL: 01638 713795
FAX: 01638 582507
EMAIL: info@jkhd.co.uk
WEBSITE: www.jkhd.co.uk

PROPRIETARY & CONFIDENTIAL

The information contained in this drawing is the sole property of JKH Drainage Units Limited.
Any reproduction in part or in whole without the written permission of JKH Drainage Units Limited is strictly prohibited.

DRAWING TITLE / PROJECT:
GRC Dyketector Channel - 1M
(Glass Reinforced Cement)

| | | | |
|-------------------|------|-----------------|------------|
| CLIENT: | - | DRAWING DATE: | 14/06/2019 |
| SCALE: | NTS | GRATING WEIGHT: | -kg |
| TREADWALL WEIGHT: | 15kg | TOTAL WEIGHT: | 15kg |
| DRAWN BY: | JP | CHECKED BY: | DH |

DRAWING No: GRC DC1M-0012

DO NOT SCALE DRAWING