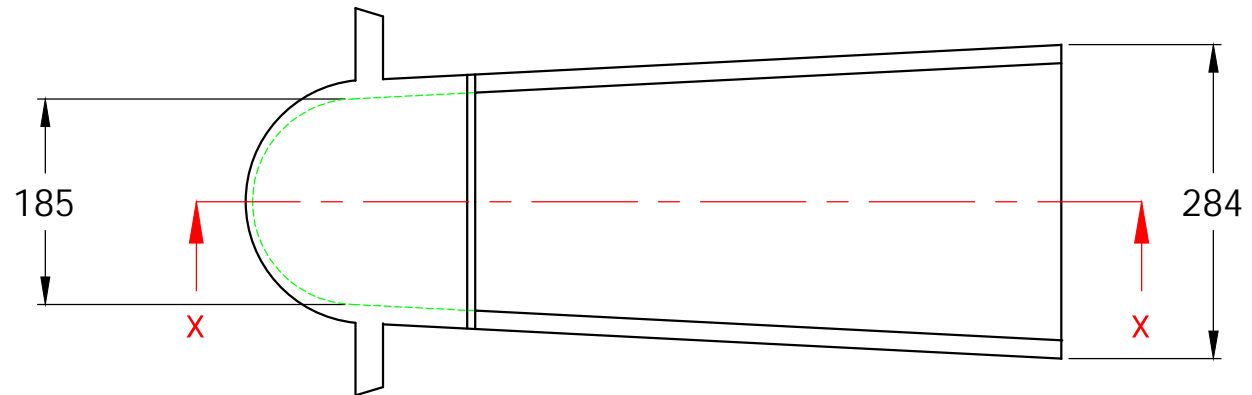


SECTION X-X



DO NOT SCALE DRAWING

NOTES:

- All dimensions in mm U.O.S
- All measurements ± 1mm

Material:

- Characteristic compressive strength of Glass Reinforced Concrete = 60N/mm²
- Characteristic flexural strength of Glass Reinforced Concrete = 6N/mm²
- Free water Cement ratio: <0.55
- Glass fibres - 63kg/m³
- Specification: XA2, DS2, DC2



ADDRESS: JKH LIMITED
HAMPSTEAD AVENUE
MILDENHALL
IP28 7AS

TEL: 01638 713795
FAX: 01638 582507
EMAIL: info@jkh.co.uk
WEBSITE: www.jkh.co.uk

PROPRIETARY & CONFIDENTIAL

The information contained in this drawing is the sole property of JKH Drainage Units Limited.
Any reproduction or use in any way without the written permission of JKH Drainage Units Limited is strictly prohibited.

DRAWING TITLE / PROJECT:

Kwik Fit Headwall
(Glass Reinforced Cement)

CLIENT:	Client
SCALE:	NTS
DRAWING DATE:	13/06/2019
HEADWALL WEIGHT:	18kg
CRATING WEIGHT:	-kg
TOTAL WEIGHT:	18kg
DRAWN BY:	JP
CHECKED BY:	-
DRAWING NO:	-

GRC Kwik Fit Headwall