

NOTES:

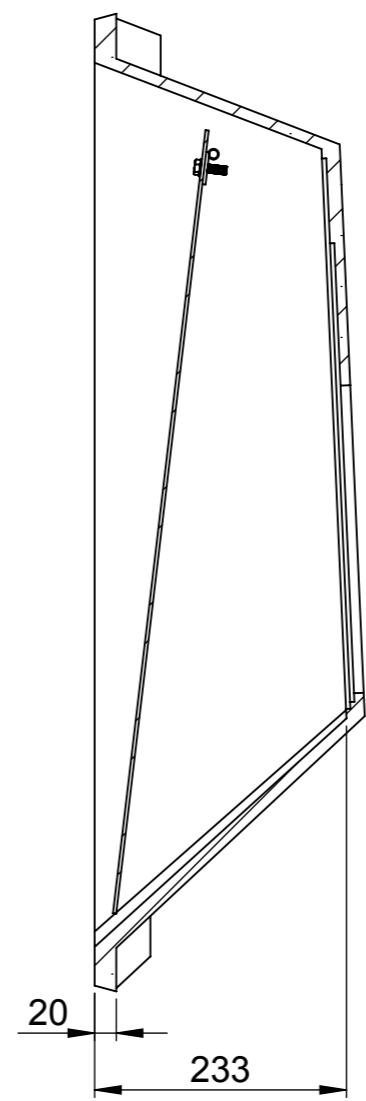
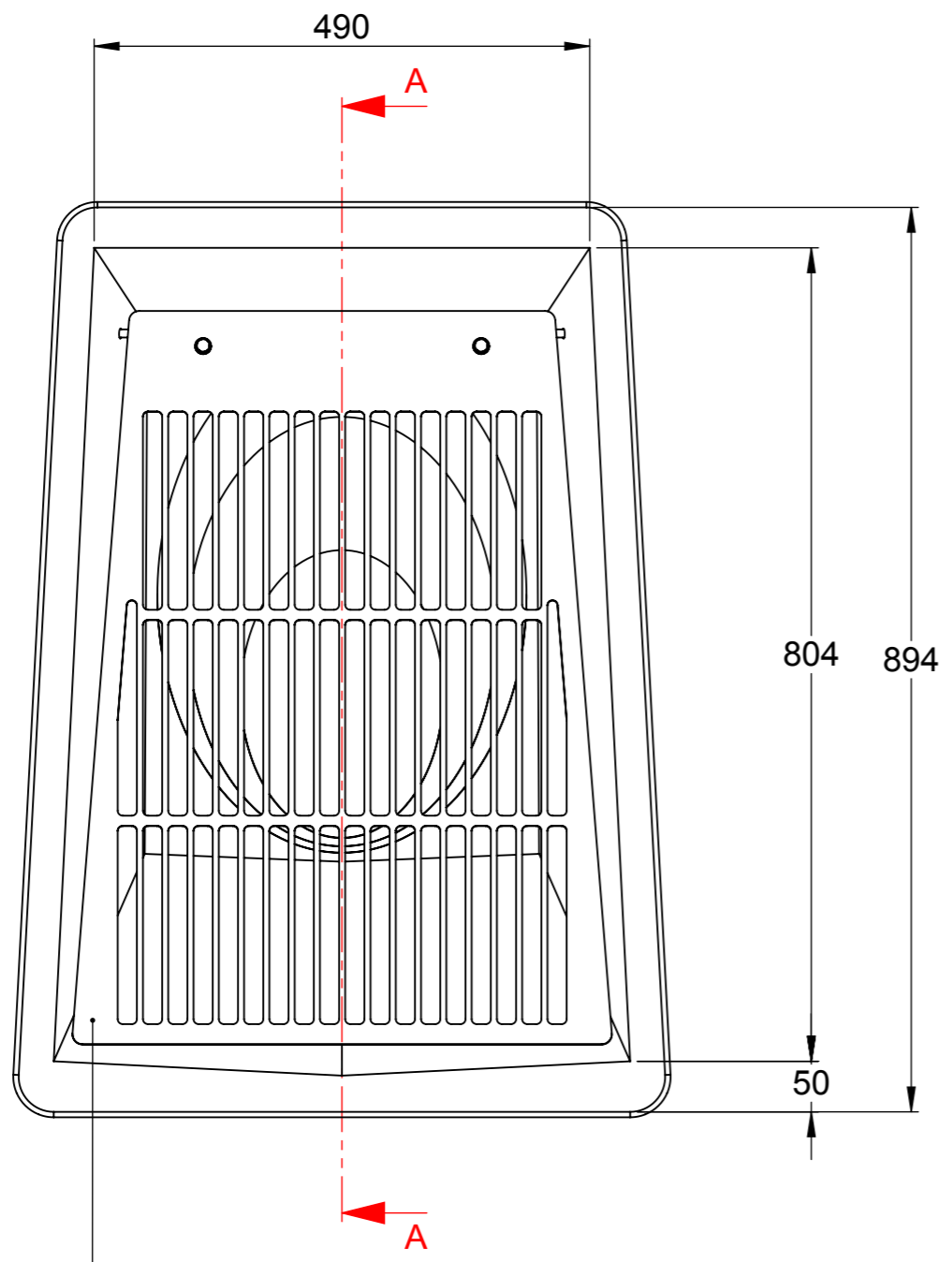
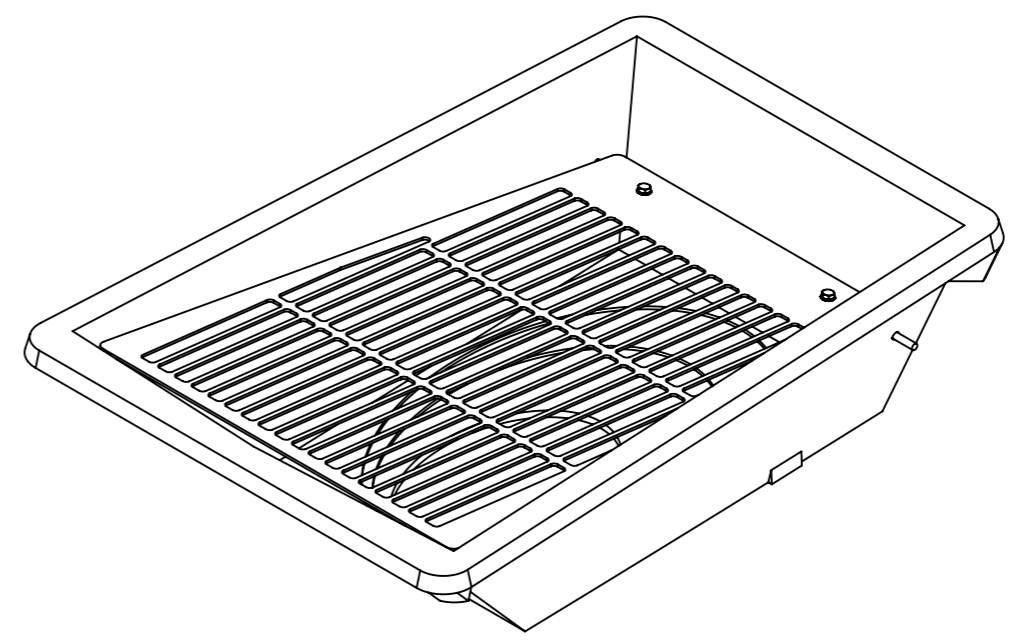
- All dimensions in mm U.O.S
- All measurements ± 1mm

Headwall Installation

Dig out sufficiently to allow headwall flanges to finish flush with the batter. Take outfall pipe (minimum length 1.5m rigid impervious pipe) and slide it through headwall so it protrudes approximately 50mm. Make a good connection with the land drain and seal by returning approximately 150mm of soil into trench and consolidating. Unravel the string and draw the anchor back along the trench as the rest of the backfilling is completed.

Material

- Characteristic compressive strength of Glass Reinforced Concrete = 60N/mm²
- Characteristic flexural strength of Glass Reinforced Concrete = 6N/mm²
- Free water Cement ratio: <0.55
- Glass fibres - 63kg/m³
- Minimum Cement content: 900kg/m³
- Specification: XA2, DS2, DC2



SECTION A-A

GRATING
MANUFACTURED
IN 3mm MILD STEEL -
HOT DIP GALVANISED
FINISH

DO NOT SCALE DRAWING



ADDRESS: JKH LIMITED
HAMPSTEAD AVENUE
MILDENHALL
IP28 7AS

TEL: 01638 713795
FAX: 01638 582507
EMAIL: info@jkhld.co.uk
WEBSITE: www.jkhld.co.uk

PROPRIETARY & CONFIDENTIAL

The information contained in this drawing is the sole property of J.K.H Drainage Units Limited. Any reproduction in part or as a whole without the written permission of J.K.H Drainage Units Limited is strictly prohibited.

DRAWING TITLE / PROJECT:

GRC LARGE GENERAL PURPOSE HEADWALL + GRATING

CLIENT:	N/A	
SCALE:	1:8	DRAWING DATE: 02/07/2019
HEADWALL WEIGHT:	24kg	GRATING WEIGHT: 4kg
TOTAL WEIGHT:	28kg	
DRAWN BY:	DH	CHECKED BY: JP
DRAWING No:		

Large General Purpose & Grating - JKH