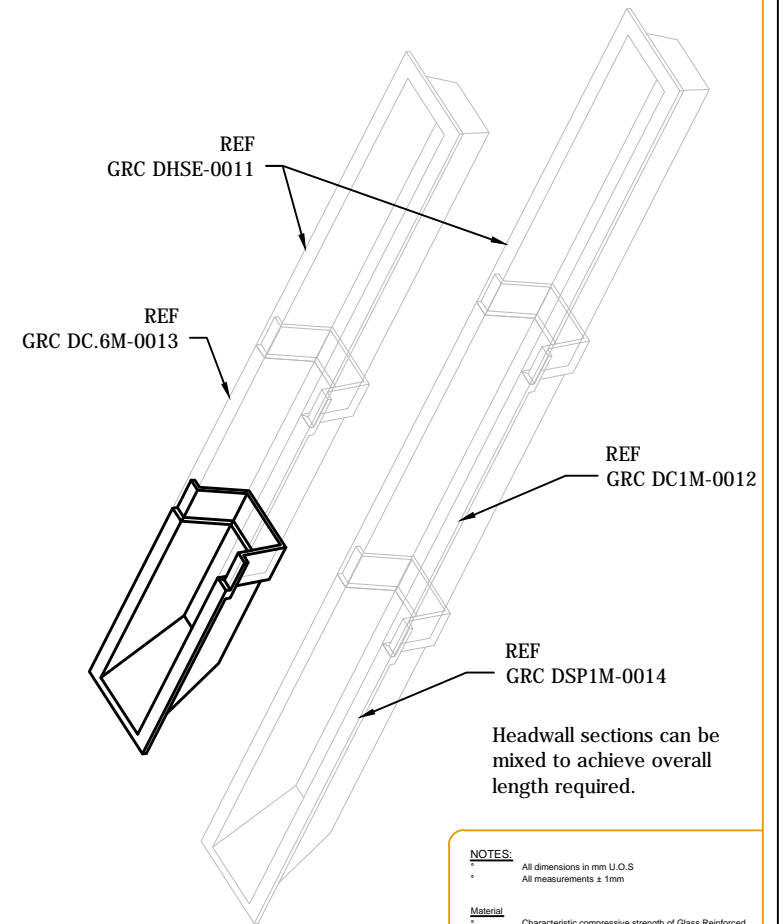


SECTION X-X



Headwall sections can be mixed to achieve overall length required.

NOTES:
 * All dimensions in mm U.O.S
 * All measurements ± 1mm

- Material**
- * Characteristic compressive strength of Glass Reinforced Concrete = 60N/mm²
 - * Characteristic flexural strength of Glass Reinforced Concrete = 6N/mm²
 - * Free water / Cement ratio: <0.55
 - * Glass fibres - 63kg/m³
 - * Specification: XA2, DS2, DC2



ADDRESS: JKH LIMITED
 HAMPSTEAD AVENUE
 MILBURNHALL
 IP28 7AS

TEL: 01638 713795
 FAX: 01638 562507
 EMAIL: info@jkh.co.uk
 WEBSITE: www.jkh.co.uk

PROPRIETARY & CONFIDENTIAL

The information contained in this drawing is the sole property of JKH Drainage Systems Limited. Any reproduction in part or in whole without the written permission of JKH Drainage Systems Limited is strictly prohibited.

DRAWING TITLE / PROJECT:

GRC Dyketector Splash Plate - 0.6M
 (Glass Reinforced Cement)

CLIENT:		
SCALE:	NTS	DRAWING DATE: 14/06/2019
HEADWALL WEIGHT:	11kg	GRATINGS WEIGHT: -kg
TOTAL WEIGHT:	11kg	
DRAWN BY:	JP	CHECKED BY: DH
DRAWING No:		

GRC DSP.6M-0015

DO NOT SCALE DRAWING