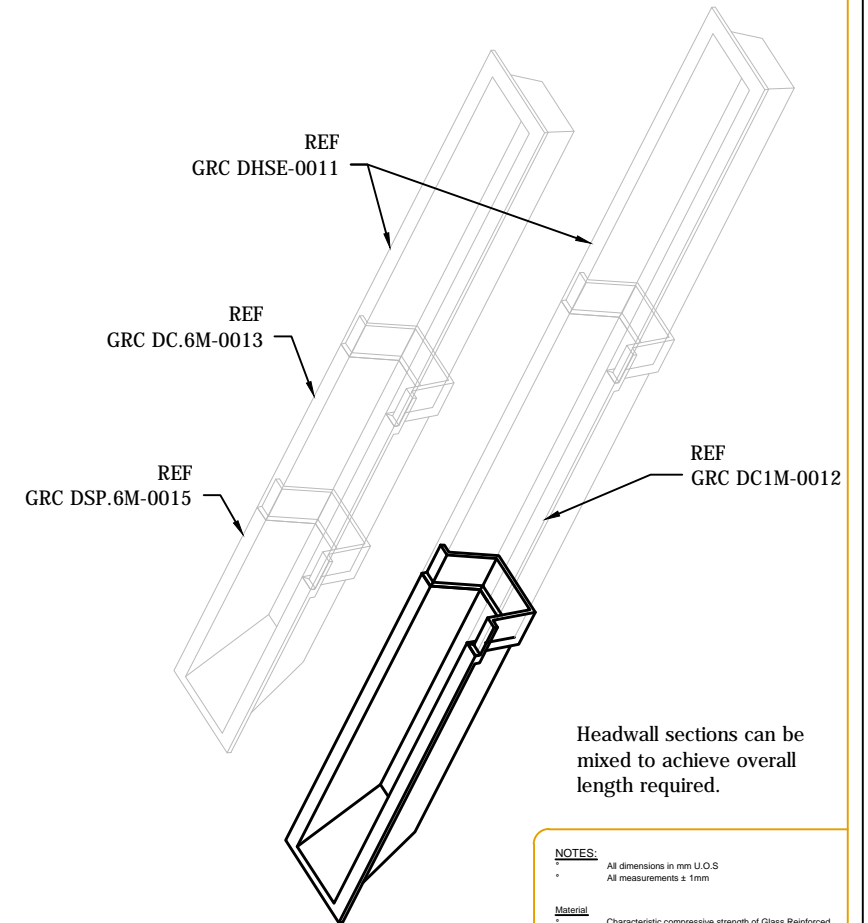
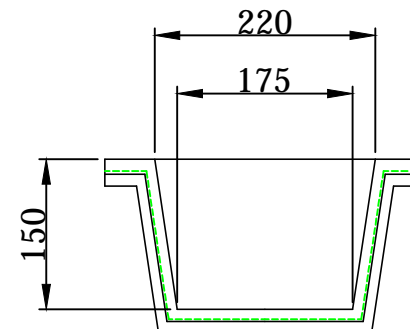


DO NOT SCALE DRAWING



Headwall sections can be mixed to achieve overall length required.



SECTION X-X

NOTES:

- * All dimensions in mm U.O.S
- * All measurements ± 1mm

Material

- * Characteristic compressive strength of Glass Reinforced Concrete = 60N/mm²
- * Characteristic flexural strength of Glass Reinforced Concrete = 6N/mm²
- * Free water - Cement ratio: <0.55
- * Glass fibres - 63kg/m³
- * Specification: XA2, DS2, DC2



ADDRESS: JKH LIMITED
 HAMPSTEAD AVENUE
 MILSEWALL
 IP28 7AS
 TEL: 01638 713795
 FAX: 01638 562507
 EMAIL: info@jkh.co.uk
 WEBSITE: www.jkh.co.uk

PROPRIETARY & CONFIDENTIAL

The information contained in this drawing is the sole property of JKH Drainage Units Limited. Any reproduction in part or in whole without the express permission of JKH Drainage Units Limited is strictly prohibited.

DRAWING TITLE / PROJECT:

GRC Dyketector Splash Plate - 1M
 (Glass Reinforced Cement)

CLIENT:			
SCALE:	NTS	DRAWING DATE:	14/06/2019
HEADWALL WEIGHT:	15kg	GRATING WEIGHT:	-kg
TOTAL WEIGHT:	15kg		
DRAWN BY:	JP	CHECKED BY:	DH
DRAWING No:	GRC DSP1M-0014		