



JKH LTD
PRE-CAST CONCRETE
& METAL FABRICATION

MEMORIALS BROCHURE

ISSUE 3



DESIGN, CONCRETE & STEEL SOLUTIONS

OFFSITE SOLUTIONS TO ONSITE PROBLEMS



MEMORIALS BROCHURE ISSUE 3

4
COMPANY PROFILE
ABOUT
PRODUCTS & SERVICES

6
STONESAFE STABILITY SYSTEM
STOCK ITEMS

12
FRAME LANDINGS & CHIPPING SLABS
STOCK ITEMS

16
SADDLES & WAR GRAVE SADDLES
STOCK ITEMS

18
SMALL CUSTOM MEMORIAL BASES
MADE TO ORDER

22
SMALL CUSTOM FRAME LANDINGS
MADE TO ORDER

26
MY ORDER DETAILS
NOTES

5
COMPANY PROFILE
TECHNICAL INFORMATION
DELIVERY SERVICES

10
FOUNDATION SLABS
STOCK ITEMS

14
TWO PIECE FRAME LANDINGS
STOCK ITEMS

17
CUSTOM LANDINGS
MADE TO ORDER

20
FOUNDATION SLABS
MADE TO ORDER

24
**FOUR PIECE
FRAME LANDINGS & BEARERS**
MADE TO ORDER



COMPANY PROFILE

ABOUT JKH LTD

Established in 1969 JKH LTD specialise in the design, manufacture and supply of pre-cast concrete and fabricated metal products to a wide range of sectors including the monumental masonry trade.

JKH LTD keep a wide range of standard memorial bases & frame landings in stock and have the capacity to design & manufacture special items to order.

We have built an enviable reputation within our field for good service, innovation and reliability. In partnership with our customers we are continually innovating and developing new products.

Using our fully equipped design office and engineering workshop JKH are also able to offer UKCA marked metal fabrication, design and manufacturing services.



PRODUCTS

- ✓ LARGE STOCK OF STANDARD MEMORIAL BASES
- ✓ FRAME LANDINGS
- ✓ SADDLES
- ✓ SPECIAL MADE TO ORDER BASES
- ✓ SPECIAL MADE TO ORDER FRAME LANDINGS



SERVICES

- ✓ OFFLOADING AVAILABLE UPON REQUEST
- ✓ LARGE STOCK OF STANDARD PRODUCTS
- ✓ METAL FABRICATION SERVICES
- ✓ SPECIAL DESIGN SERVICES
- ✓ FAST DELIVERY SERVICE AVAILABLE UPON REQUEST





TECHNICAL INFORMATION



All memorial bases and frame landings are manufactured in steel moulds using high quality concrete with steel reinforcing to increase the tensile strength of our products.

—

All standard foundation slabs come with NAMM fixing points cast in.

To guarantee the quality of our products and test compression strength of our concrete JKH perform regular cube tests in accordance with **BS EN 12390-1:2021.**

Our cube tests consistently exceed a compression strength of **50N/mm guaranteed 28 days** after casting.



DELIVERY SERVICES



JKH operate a small fleet of heavy goods vehicles ranging from 26 ton rigid lorries up to 44 ton articulated lorries.

—

JKH deliver nationwide from our factory based in East Anglia.

Our vehicles are London DVS compliant and we are FORS Silver accredited.

The majority of our heavy goods vehicles are fitted with forklifts which are able to assist customers with offloading their orders.

Forklift offloading is a free service which must be requested at the time of order. Urgent orders can be sent on pallet carrier for an additional charge.

STONESAFE

STABILITY SYSTEMS

STOCK ITEMS

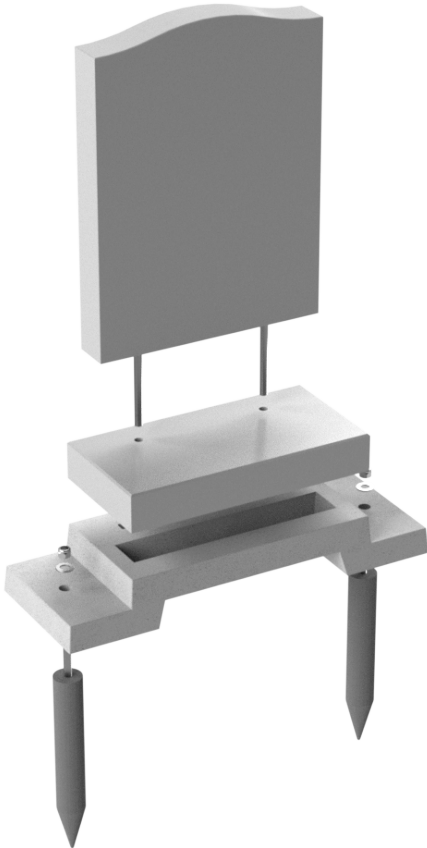
Manufactured from steel reinforced concrete, JKH stock a wide range of standard sizes. Headstone not included.

The Stonesafe memorial fixing system has been designed as the most stable and secure memorial foundation on the market giving peace of mind to the installers and their customers.

The Stonesafe memorial fixing system consists of specially designed concrete bases and Ground Anchors that can withstand a pressure of 250kg with proper installation.

All Memorial fixers have seen installations which are clearly unstable and will fail "topple-testing". These circumstances give immense grief and upset to all grave-owners and often comes at a particularly difficult time following the death of a loved one.

The Installation guide is available upon request.



KEY BENEFITS

Stonesafe system enables easy removal for maintenance and second inscriptions. With proper installation, this system can withstand a pressure of **250kg**

- ✓ SIMPLE INSTALLATION
- ✓ RIGID FIXING SYSTEM
- ✓ MECHANICAL SYSTEM DOES NOT REQUIRE MORTAR
- ✓ GROUND ANCHORS MANUFACTURED WITH 100% RECYCLED PLASTIC
- ✓ LARGE DIAMETER GROUND ANCHOR IMPROVES STABILITY
- ✓ NO CEMENT, MORTAR OR ADHESIVE BONDING
- ✓ VANDAL RESISTANT
- ✓ TOPPLE-TEST RESISTANT



REGULATORY COMPLIANCE

- ✓ DESIGNED IN ACCORDANCE WITH **BS 8415:2018**
- ✓ TESTED IN ACCORDANCE WITH **BS 8415:2018**
- ✓ CONCRETE MEMORIAL BASE MANUFACTURED IN ACCORDANCE WITH **BS EN 13369:2018**
- ✓ COMPLIES WITH STRUCTURAL ENGINEERING STANDARDS
- ✓ APPROVED BY TRADING STANDARDS
- ✓ APPROVED BY PORTSMOUTH CITY COUNCIL BURIAL AUTHORITY
- ✓ INDEPENDENTLY TESTED BY THE UNIVERSITY OF SOUTHAMPTON
- ✓ INDEPENDENTLY TESTED BY SOUTHERN TESTING

STONESAFE MEMORIAL BASE

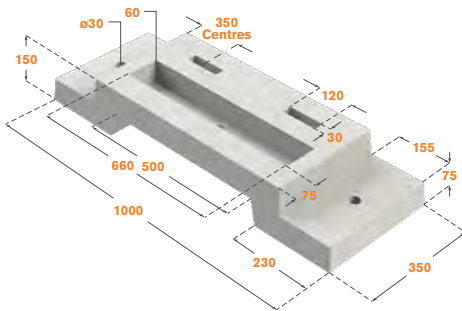
REGISTERED DESIGN NUMBER: 6160847

MANUFACTURED FROM STEEL REINFORCED CONCRETE, JKH STOCK A WIDE RANGE OF STANDARD SIZES. HEADSTONE NOT INCLUDED.

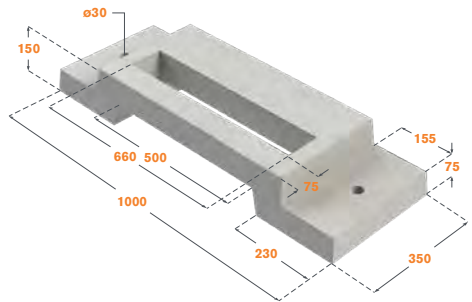


JKH are able to design & manufacture **special sizes** of foundation slabs, frame landings and cremation tablets to order.

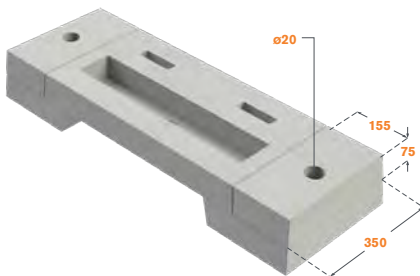
KNOCKOUT BASE



SLOTTED BASE

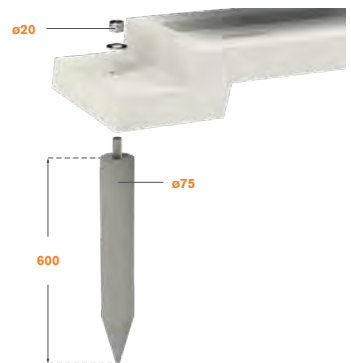


EXTENSION PIECE



GROUND ANCHOR

REGISTERED DESIGN NUMBER 6160847





Contact us
for a quotation today!

STONESAFE MEMORIAL BASE REGISTERED DESIGN NUMBER: 6160847

[mm]

REFERENCE	SIZE (WxDxT)
KNOCKOUT BASE	1000 x 350 x 150mm (30" x 14" x 6")
SLOTTED BASE	1000 x 350 x 150mm (30" x 14" x 6")
EXTENSION PIECE	350 x 155 x 75mm (14" x 6" x 3")
GROUND ANCHOR	75 x 600mm (3" x 20")



When installed correctly this system will resist an overturning force of 250kg.

Mechanical Fixing System tested in accordance with British Standard **BS 8415:2018**. Concrete compressive testing conducted in accordance with **BS 13369:2018**.



Please note, bases are sold in pallets of 15.

ADDITIONAL INFORMATION

Using our fully equipped design office and engineering workshop, JKH LTD are able to offer **UKCA marked** metal fabrication design and manufacturing services.

Please note that all sizes are approximate.

Office 01638 713 795
Email sales@jkhltd.co.uk

WWW.JKHLTD.CO.UK



FOUNDATION SLABS STOCK ITEMS

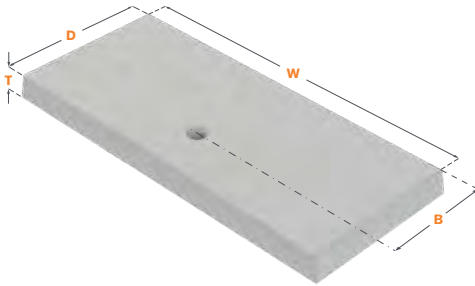
MANUFACTURED FROM STEEL REINFORCED CONCRETE, JKH STOCK A WIDE RANGE OF STANDARD SIZES.



JKH are able to design & manufacture **special sizes** of foundation slabs, frame landings and cremation tablets to order.

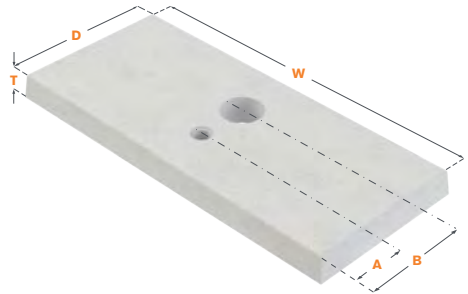
FOUNDATION BASE

A2



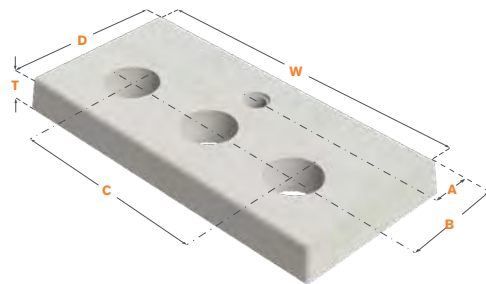
FOUNDATION SLAB - 1 VASE HOLE

B2, B3, D2 & D3



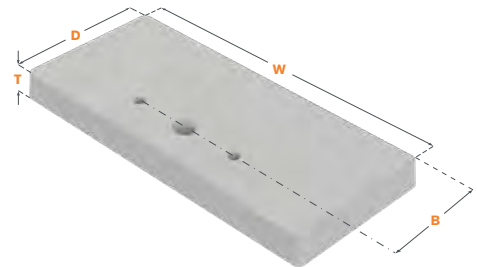
FOUNDATION SLAB - 3 VASE HOLES

B2, B3, D2, D3 & E3



FOUNDATION SLAB - NO VASE HOLES

B2, B3, D2, D3 & E3



A DISTANCE FROM FRONT OF SLAB TO CENTRE OF VASE HOLE
B DISTANCE FROM FRONT OF SLAB TO CENTRE OF DOWEL HOLE

C HOLE CENTRES ON THREE HOLE SLABS
D DEPTH OF SLAB / FRAME

T THICKNESS OF SLAB / FRAME
W WIDTH OF SLAB / FRAME



Contact us
for a quotation today!

FOUNDATION SLABS STOCK ITEMS

REFERENCE	SIZE (WxDxT)	WEIGHT	HOLE DISTANCE FROM FRONT EDGE TO CENTRE		OPTIONS AVAILABLE
			VASE (A)	DOWEL (B)	
A2	42" x 18" x 3"	90kg	-	12 1/2"	NAMM Fixing Only
B2 B2-1H B2-3H18 B2-3H23	36" x 18" x 3"	75kg 75kg 75kg 75kg	- 6 1/2" 6 1/2" 6 1/2"	12 1/2" 12 1/2" 12 1/2" 12 1/2"	No Hole Single Hole 3 Hole - 18" Centres (C) 3 Hole - 23 1/2" Centres (C)
B3 B3-1H B3-3H17	36" x 15" x 3"	60kg 60kg 60kg	- 5 1/2" 5 1/2"	11 1/2" 11 1/2" 11 1/2"	No Hole Single Hole 3 Hole - 17" Centres (C)
D2 D2-1H D2-3H17	30" x 18" x 3"	60kg 60kg 60kg	6 1/2" 6 1/2" 6 1/2"	12 1/2" 12 1/2" 12 1/2"	No Hole Single Hole 3 Hole - 17" Centres (C)
D3-PLAIN D3-1H D3-3H17	31" x 15" x 5"	55kg 55kg 55kg	5" 5" 5"	12 1/2" 12 1/2" 12 1/2"	No Hole Single Hole 3 Hole - 17" Centres (C)
E3 E3-3H17	35" x 15" x 3"	62kg 62kg	5" 5"	12 1/2" 12 1/2"	No Hole 3 Hole - 17" Centres (C)



Concrete compressive testing conducted in accordance with **BS EN 12390-13:2021**.

Concrete compressive strength in excess of **50N/mm²**. Memorial bases are manufactured in accordance with **BS 8415:2018**.



All standard foundation slabs are supplied with a NAMM fixing point as standard.



Please note, these products are stocked in pallets of 14.

ADDITIONAL INFORMATION

Using our fully equipped design office and engineering workshop, JKH LTD are able to offer **UKCA marked** metal fabrication design and manufacturing services.

Please note that all sizes are approximate.

Office 01638 713 795
Email sales@jkh ltd.co.uk

WWW.JKHLTD.CO.UK



FRAME LANDINGS & CHIPPING SLABS

STOCK ITEMS

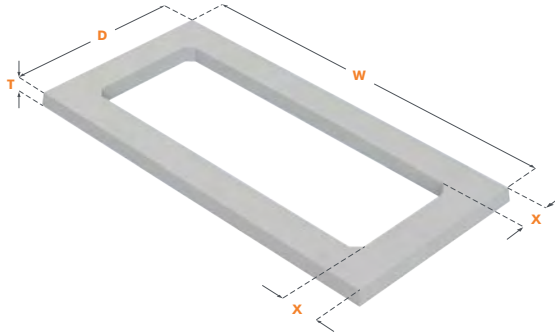
MANUFACTURED FROM STEEL REINFORCED CONCRETE, JKH STOCK A WIDE RANGE OF STANDARD SIZES.



JKH are able to design & manufacture **special sizes** of foundation slabs, frame landings and cremation tablets to order.

FRAME LANDING

FL-S, FL-M & FL-L



CHIPPING SLABS

CS0001 & CS0002

Sold individually, chipping slabs are designed to sit in the centre of frame landings to retain glass chippings. Two required per frame landing. Complete with drainage holes.



D DEPTH OF SLAB / FRAME **W** WIDTH OF SLAB / FRAME
T THICKNESS OF SLAB / FRAME **X** BAND SIZE



Contact us
for a quotation today!

FRAME LANDINGS STOCK ITEMS

REFERENCE	SIZE (WxDxT)	BAND SIZE (X)	WEIGHT
SMALL FRAME FL-S	6'8" x 2'8" x 3" (80" x 32" x 3")	7"	162kg
MEDIUM FRAME FL-M	6'8" x 3'2" x 3" (80" x 38" x 3")	7"	175kg
LARGE FRAME FL-L	7'2" x 3'2" x 3" (86" x 38" x 3")	7"	182kg

FRAME LANDINGS MADE TO ORDER

REFERENCE	SIZE (WxDxT)	BAND SIZE (X)	WEIGHT
FRAME LANDING FL-S1	6'1" x 3'1" x 3" (73" x 37" x 3")	7"	162kg

CHIPPING SLABS STOCK ITEMS

REFERENCE	SIZE (WxDxT)	WEIGHT
SMALL CHIPPING SLAB CS0001	34" x 20" x 3/4"	12kg
LARGE CHIPPING SLAB CS0002	37" x 25 3/4" x 3/4"	16kg



Concrete compressive testing conducted in accordance with **BS EN 12390-13:2021**.

Concrete compressive strength in excess of **50N/mm²**. Memorial bases are manufactured in accordance with **BS 8415:2018**.



Other sizes are available, please enquire for more information.



ADDITIONAL INFORMATION

Using our fully equipped design office and engineering workshop, JKH LTD are able to offer **UKCA marked** metal fabrication design and manufacturing services.

Please note that all sizes are approximate.

Office 01638 713 795
Email sales@jkhltd.co.uk

WWW.JKHLTD.CO.UK

TWO PIECE FRAME LANDINGS STOCK ITEMS

MANUFACTURED FROM STEEL REINFORCED CONCRETE, JKH STOCK A WIDE RANGE OF STANDARD SIZES.



JKH are able to design & manufacture **special sizes** of foundation slabs, frame landings and cremation tablets to order.

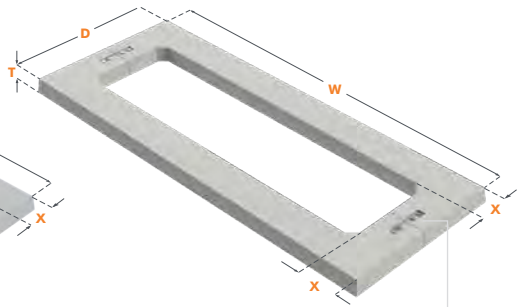
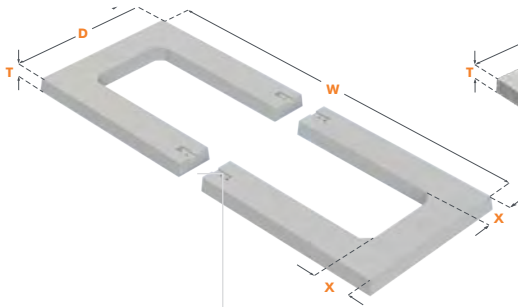
TWO PIECE FRAME LANDING

FL-SF2 & FL-LF2

Galvanised connector brackets and bolts included.
These frame landings are available for quick delivery on pallet carrier.

Option A
Long Edge Split

Option B
Short Edge Split



D DEPTH OF SLAB / FRAME **W** WIDTH OF SLAB / FRAME
T THICKNESS OF SLAB / FRAME **X** BAND SIZE



Contact us for a quote today!
01638 713 795

TWO PIECE FRAME LANDINGS STOCK ITEMS

REFERENCE	SIZE (WxDxT)	BAND SIZE (X)	WEIGHT
TWO PIECE SMALL FRAME FL-SF2-A	6'8" x 2'8" x 3"	7"	162kg or 81kg Per Half
TWO PIECE SMALL FRAME FL-SF2-B	6'8" x 2'8" x 3"	7"	162kg or 81kg Per Half
TWO PIECE LARGE FRAME FL-LF2-A	7'2" x 3'2" x 3"	7"	182kg or 91kg Per Half
TWO PIECE LARGE FRAME FL-LF2-B	7'2" x 3'2" x 3"	7"	182kg or 91kg Per Half



Concrete compressive testing conducted in accordance with **BS EN 12390-13:2021**.

Concrete compressive strength in excess of **50N/mm²**.
Memorial bases are manufactured in accordance with **BS 8415:2018**.



Can be sent on pallet carrier for urgent delivery.

ADDITIONAL INFORMATION

Using our fully equipped design office and engineering workshop, JKH LTD are able to offer **UKCA marked** metal fabrication design and manufacturing services.

Please note that all sizes are approximate.

Office 01638 713 795
Email sales@jkh ltd.co.uk

WWW.JKHLTD.CO.UK





Contact us
for a quotation today!

SADDLES & WAR GRAVE SADDLES STOCK ITEMS

MANUFACTURED FROM STEEL REINFORCED CONCRETE, JKH STOCK A WIDE RANGE OF STANDARD SIZES.



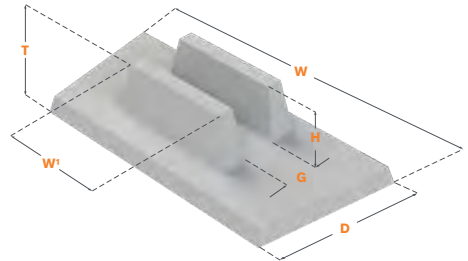
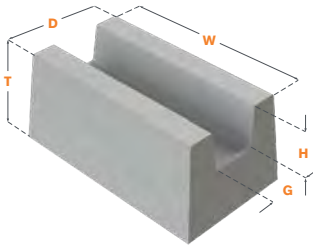
JKH are able to design & manufacture **special sizes** of foundation slabs, frame landings and cremation tablets to order.

STANDARD SADDLE

SADDLE-S, SADDLE-M & SADDLE-L

COMMONWEALTH WAR GRAVE COMMISSION SADDLE

WGC



D DEPTH OF SLAB / FRAME
G WIDTH OF RECESS

H DEPTH OF RECESS
T THICKNESS OF SLAB / FRAME

W WIDTH OF SLAB / FRAME
W' LENGTH OF RECESS

REFERENCE	SIZE (WxDxT)	WEIGHT	SLOT DIMENSIONS
0282 - SMALL SADDLE	15" x 8¾" x 7"	30kg	3½" x 3" (GxH)
0283 - MEDIUM SADDLE	24" x 9¾" x 5"	35kg	3½" x 2½" (GxH)
0284 - LARGE SADDLE	24" x 12" x 8¾"	80kg	4" x 4" (GxH)
WGC	35" x 15" x 6"	65kg	4" x 5¾" x 12" (GxHxW')



Concrete compressive testing conducted in accordance with **BS EN 12390-13:2021**.

Concrete compressive strength in excess of **50N/mm²**. Memorial bases are manufactured in accordance with **BS 8415:2018**.



Small, medium and large saddles are available to purchase individually. Special saddles can be manufactured upon request.

War grave commission saddles are stocked in pallets of 12.

ADDITIONAL INFORMATION

Using our fully equipped design office and engineering workshop, JKH LTD are able to offer **UKCA marked** metal fabrication design and manufacturing services.

Please note that all sizes are approximate.

Office 01638 713 795
Email sales@jkhltd.co.uk

WWW.JKHLTD.CO.UK





Contact us
for a quotation today!

CUSTOM LANDINGS MADE TO ORDER

MANUFACTURED FROM STEEL REINFORCED CONCRETE, JKH STOCK A WIDE RANGE OF STANDARD SIZES.



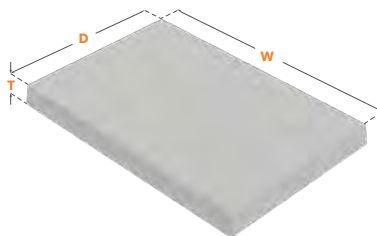
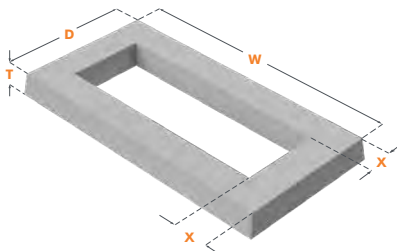
JKH are able to design & manufacture **special sizes** of foundation slabs, frame landings and cremation tablets to order.

SINGLE CUSTOM FRAME

FL-CF

SINGLE CUSTOM SOLID SLAB

FL-CS



D DEPTH OF SLAB / FRAME **W** WIDTH OF SLAB / FRAME
T THICKNESS OF SLAB / FRAME **X** BAND SIZE

REFERENCE	SIZE (WxDxT)	BAND SIZE (X)	WEIGHT
SINGLE CUSTOM FRAME FL-CF	Max. Size 96" x 48" x 3"	7"	Up To 220kg
SINGLE CUSTOM SOLID SLAB FL-CS	Max. Size 96" x 48" x 3"	-	Up To 550kg



Concrete compressive testing conducted in accordance with **BS EN 12390-13:2021**.

Concrete compressive strength in excess of **50N/mm²**. Memorial bases are manufactured in accordance with **BS 8415:2018**.



All special product prices are based on 3" thick slabs. Sizes listed are maximum dimensions. Sizes can be adjusted in even inches. Please specify dimensions at time of order.



ADDITIONAL INFORMATION

Using our fully equipped design office and engineering workshop, JKH LTD are able to offer **UKCA marked** metal fabrication design and manufacturing services.

Please note that all sizes are approximate.

Office 01638 713 795
Email sales@jkhltd.co.uk

WWW.JKHLTD.CO.UK

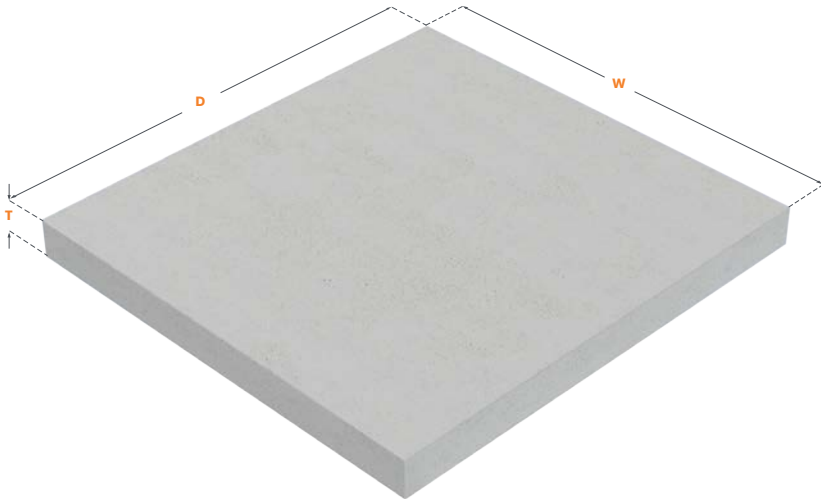
SMALL CUSTOM MEMORIAL BASES MADE TO ORDER

MANUFACTURED FROM STEEL REINFORCED CONCRETE, AVAILABLE IN SIZES UP TO 36" X 36" X 3"



JKH are able to design & manufacture **special sizes** of foundation slabs, frame landings and cremation tablets to order.

SMALL MEMORIAL BASE



D DEPTH OF SLAB / FRAME

T THICKNESS OF SLAB / FRAME

W WIDTH OF SLAB / FRAME



Contact us
for a quotation today!

SMALL CUSTOM MEMORIAL BASES MADE TO ORDER

REFERENCE	SIZE (WxDxT)	WEIGHT
SA-B16	36" x 36" x 3"	153kg
SA-C12	32" x 32" x 3"	120kg
SA-C14	32" x 34" x 3"	128kg
SA-C16	32" x 36" x 3"	136kg
SA-D10	30" x 30" x 3"	106kg
SA-D12	30" x 32" x 3"	113kg
SA-D14	30" x 34" x 3"	120kg
SA-D16	30" x 36" x 3"	127kg
SA-R14	34" x 34" x 3"	136kg
SA-R16	34" x 36" x 3"	144kg
SA-E10	38" x 30" x 3"	135kg
SA-E12	38" x 32" x 3"	144kg
SA-E14	38" x 34" x 3"	152kg
SA-E16	38" x 36" x 3"	161kg
SA-E18	38" x 38" x 3"	170kg
SA-F20	40" x 40" x 3"	189kg
SA-F18	40" x 38" x 3"	179kg
SA-F16	40" x 36" x 3"	170kg
SA-F14	40" x 34" x 3"	161kg
SA-F12	40" x 32" x 3"	151kg
SA-F10	40" x 30" x 3"	142kg
SA-G10	42" x 30" x 3"	149kg
SA-G12	42" x 32" x 3"	159kg
SA-G14	42" x 34" x 3"	168kg
SA-G16	42" x 36" x 3"	178kg
SA-G18	42" x 38" x 3"	188kg
SA-G20	42" x 40" x 3"	198kg
SA-G22	42" x 42" x 3"	208kg



Concrete compressive testing conducted in accordance with **BS EN 12390-13:2021**.

Concrete compressive strength in excess of **50N/mm²**. Memorial bases are manufactured in accordance with **BS 8415:2018**.



Vase holes or dowel fixings can be added upon request.



ADDITIONAL INFORMATION

Using our fully equipped design office and engineering workshop, JKH LTD are able to offer **UKCA marked** metal fabrication design and manufacturing services.

Please note that all sizes are approximate.

Office 01638 713 795
Email sales@jkhltd.co.uk

WWW.JKHLTD.CO.UK

FOUNDATION SLABS MADE TO ORDER

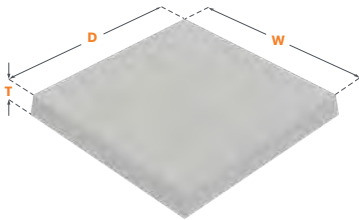
MANUFACTURED FROM STEEL REINFORCED CONCRETE, JKH STOCK A WIDE RANGE OF STANDARD SIZES.



JKH are able to design & manufacture **special sizes** of foundation slabs, frame landings and cremation tablets to order.

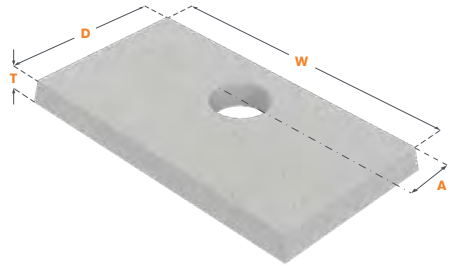
FOUNDATION SLAB

G3, H1-2, K2-2, L2, O5A & O5B



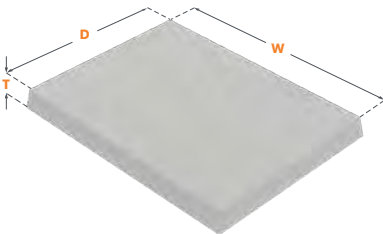
FOUNDATION SLAB

F4 & N3H



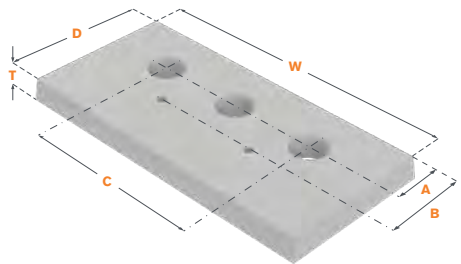
FOUNDATION SLAB

B1, H1-3, K2-3 & P2-3



FOUNDATION SLAB

A6 & D5



- A DISTANCE FROM FRONT OF SLAB TO CENTRE OF VASE HOLE
- B DISTANCE FROM FRONT OF SLAB TO CENTRE OF DOWEL HOLE
- C HOLE CENTRES ON THREE HOLE SLABS
- D DEPTH OF SLAB / FRAME
- T THICKNESS OF SLAB / FRAME
- W WIDTH OF SLAB / FRAME



Contact us
for a quotation today!

FOUNDATION SLABS 2 INCH THICK MADE TO ORDER

REFERENCE	SIZE (WxDxT)	WEIGHT	HOLE DISTANCE FROM FRONT EDGE TO CENTRE		OPTIONS AVAILABLE
			VASE (A)	DOWEL (B)	
F4	26" x 14" x 2"	40kg	4 $\frac{3}{4}$ "	-	No Hole & Single Hole
G3	15" x 15" x 2"	17kg	-	-	No Hole
H1-2	24" x 24" x 2"	45kg	-	-	No Hole
K2-2	18" x 18" x 2"	25kg	-	-	No Hole
L2	24" x 15" x 2"	32kg	-	-	No Hole
N3H	27" x 13" x 2"	40kg	3"	-	No Hole & Single Hole
P2-2	24" x 18" x 2"	25kg	-	-	No Hole
Q5A	12" x 12" x 1.5"	8kg	-	-	No Hole & Single Hole
Q5B	13" x 13" x 2"	13kg	-	-	No Hole

FOUNDATION SLABS 3 INCH THICK MADE TO ORDER

REFERENCE	SIZE (WxDxT)	WEIGHT	HOLE DISTANCE FROM FRONT EDGE TO CENTRE		OPTIONS AVAILABLE
			VASE (A)	DOWEL (B)	
A6	42" x 20" x 3"	97kg	7 $\frac{1}{2}$ "	2x 14" wide 12"	No Hole Single Hole 3 Hole - 17" Centres (C) 3 Hole - 23" Centres (C)
B1	36" x 24" x 3"	101kg	-	-	No Hole
D5	30" x 12" x 3"	45kg	4 $\frac{1}{2}$ "	9 $\frac{1}{2}$ "	No Hole Single Hole 3 Hole - 16" Centres (C)
H1-3	24" x 24" x 3"	70kg	-	-	No Hole
K2-3	18" x 18" x 3"	40kg	-	-	No Hole
P2-3	24" x 18" x 3"	34kg	-	-	No Hole & Single Hole



Concrete compressive testing conducted in accordance with **BS EN 12390-13:2021**.

Concrete compressive strength in excess of **50N/mm²**. Memorial bases are manufactured in accordance with **BS 8415:2018**.



ADDITIONAL INFORMATION

Using our fully equipped design office and engineering workshop, JKH LTD are able to offer **UKCA marked** metal fabrication design and manufacturing services.

Please note that all sizes are approximate.

Office 01638 713 795

Email sales@jkh ltd.co.uk

WWW.JKHLTD.CO.UK

SMALL CUSTOM FRAME LANDINGS MADE TO ORDER

MANUFACTURED FROM STEEL REINFORCED CONCRETE, AVAILABLE IN SIZES UP TO 36" X 36" X 3".



JKH are able to design & manufacture **special sizes** of foundation slabs, frame landings and cremation tablets to order.

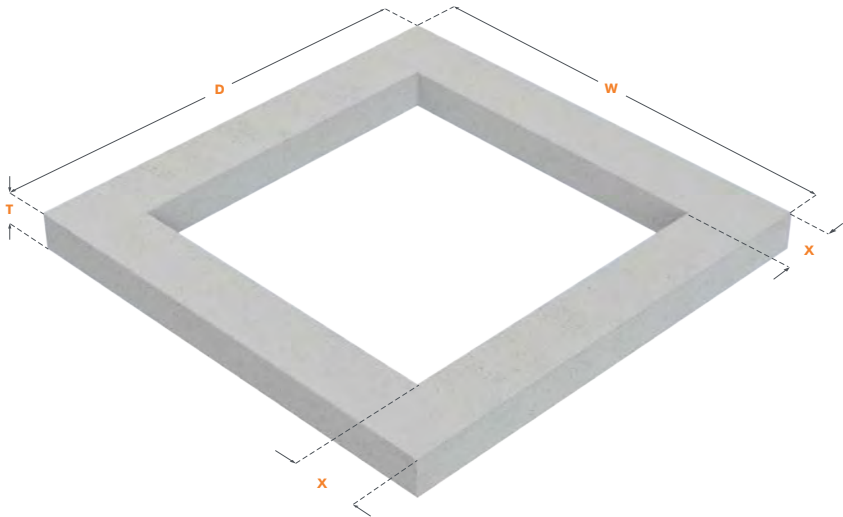
SMALL CUSTOM FRAME LANDING

SA-H1-SLOT
SA-B16-SLOT
SA-C12-SLOT

SA-C14-SLOT
SA-C16-SLOT
SA-D10-SLOT

SA-D12-SLOT
SA-D14-SLOT
SA-D16-SLOT

SA-R14-SLOT
SA-R16-SLOT



D DEPTH OF SLAB / FRAME
T THICKNESS OF SLAB / FRAME

W WIDTH OF SLAB / FRAME
X BAND SIZE



Contact us
for a quotation today!

SMALL CUSTOM FRAME LANDINGS MADE TO ORDER

REFERENCE	SIZE (WxDxT)	BAND SIZE (X)	WEIGHT
H1-SLOT	24" x 24" x 3"	4"	45kg
SA-B16-SLOT	36" x 36" x 3"	5"	77kg
SA-C12-SLOT	32" x 32" x 3"	5"	60kg
SA-C14-SLOT	32" x 34" x 3"	5"	64kg
SA-C16-SLOT	32" x 36" x 3"	5"	68g
SA-D10-SLOT	30" x 30" x 3"	5"	53kg
SA-D12-SLOT	30" x 32" x 3"	5"	57kg
SA-D14-SLOT	30" x 34" x 3"	5"	60kg
SA-D16-SLOT	30" x 36" x 3"	5"	64kg
SA-R14-SLOT	34" x 34" x 3"	5"	68kg
SA-R16-SLOT	34" x 36" x 3"	5"	72kg
SA-E10 - SLOT	38" x 30" x 3"	5"	74kg
SA-E12 - SLOT	38" x 32" x 3"	5"	76kg
SA-E14 - SLOT	38" x 34" x 3"	5"	78kg
SA-E16 - SLOT	38" x 36" x 3"	5"	80kg
SA-E18 - SLOT	38" x 38" x 3"	5"	83kg
SA-F20 - SLOT	40" x 40" x 3"	5"	90kg
SA-F18 - SLOT	40" x 38" x 3"	5"	87kg
SA-F16 - SLOT	40" x 36" x 3"	5"	84kg
SA-F14 - SLOT	40" x 34" x 3"	5"	82kg
SA-F12 - SLOT	40" x 32" x 3"	5"	80kg
SA-F10 - SLOT	40" x 30" x 3"	5"	78kg
SA-G10 - SLOT	42" x 30" x 3"	5"	80kg
SA-G12 - SLOT	42" x 32" x 3"	5"	82kg
SA-G14 - SLOT	42" x 34" x 3"	5"	84kg
SA-G16 - SLOT	42" x 36" x 3"	5"	86kg
SA-G18 - SLOT	42" x 38" x 3"	5"	89kg
SA-G20 - SLOT	42" x 40" x 3"	5"	92kg
SA-G22 - SLOT	42" x 42" x 3"	5"	94kg



Concrete compressive testing conducted in accordance with **BS EN 12390-13:2021**.

Concrete compressive strength in excess of **50N/mm²**.
Memorial bases are manufactured in accordance with **BS 8415:2018**.



ADDITIONAL INFORMATION

Using our fully equipped design office and engineering workshop, JKH LTD are able to offer **UKCA marked** metal fabrication design and manufacturing services.

Please note that all sizes are approximate.

Office 01638 713 795
Email sales@jkh ltd.co.uk

WWW.JKHLTD.CO.UK

FOUR PIECE FRAME LANDINGS & BEARERS MADE TO ORDER

MANUFACTURED FROM STEEL REINFORCED CONCRETE, JKH STOCK A WIDE RANGE OF STANDARD SIZES.

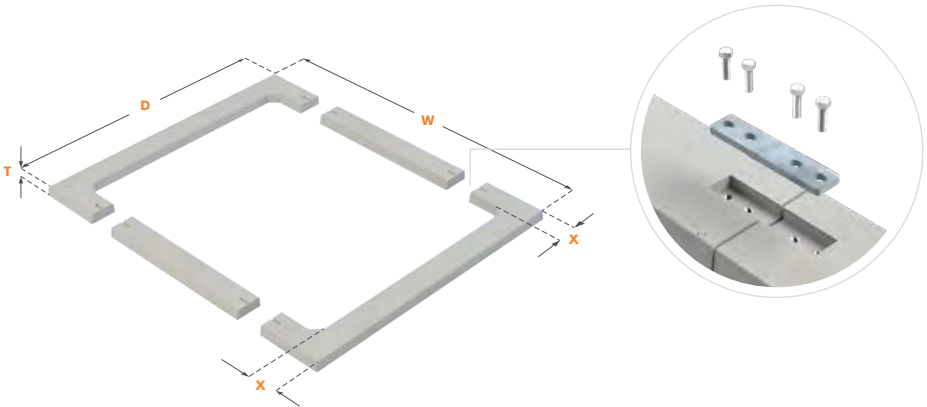


JKH are able to design & manufacture **special sizes** of foundation slabs, frame landings and cremation tablets to order.

FOUR PIECE SPLIT FRAME FOR DOUBLE KERB SET

FL-SF4, FL-LF4 & FL-CF4

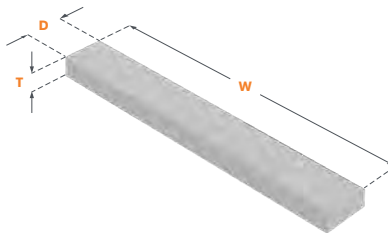
Galvanised connector brackets and bolts included (Small, Large & Custom Split Frame Landing).



BEARER

FL-BR4 & FL-BR8

Fixing sockets, brackets and bolts NOT INCLUDED as standard on this item.



D DEPTH OF SLAB / FRAME
T THICKNESS OF SLAB / FRAME

W WIDTH OF SLAB / FRAME
X BAND SIZE



Contact us
for a quotation today!

FOUR PIECE FRAME LANDINGS MADE TO ORDER

REFERENCE	SIZE (WxDxT)	BAND SIZE (X)	WEIGHT
SMALL SPLIT FRAME FOR DOUBLE KERB SET FL-SF4	6'8" x 6'8" x 3"	7"	250kg
LARGE SPLIT FRAME FOR DOUBLE KERB SET FL-LF4	7'2" x 7'2" x 3"	7"	270kg
CUSTOM SPLIT FRAME FOR DOUBLE KERB SET FL-CF4	Max. Size 96" x 96"	7"	Up To 300kg

BEARERS MADE TO ORDER

REFERENCE	SIZE (WxDxT)	BAND SIZE (X)	WEIGHT
BEARER UP TO 4 FOOT LONG FL-BR4	4' x 7" x 3"	-	Up To 40kg
BEARER UP TO 8 FOOT LONG FL-BR8	8' x 7" x 3"	-	Up To 80kg



Concrete compressive testing conducted in accordance with **BS EN 12390-13:2021**.

Concrete compressive strength in excess of **50N/mm²**.
Memorial bases are manufactured in accordance with **BS 8415:2018**.



All frame landing prices and weights are based on 3" thick slabs. Other sizes are available, please enquire for more information.

ADDITIONAL INFORMATION

Using our fully equipped design office and engineering workshop, JKH LTD are able to offer **UKCA marked** metal fabrication design and manufacturing services.

Please note that all sizes are approximate.

Office 01638 713 795
Email sales@jkhltd.co.uk

WWW.JKHLTD.CO.UK





OVER
FIFTY YEARS'
EXPERIENCE

QUALIFIED EXPERTS WITH YEARS OF INDUSTRY
EXPERIENCE & KNOWLEDGE



JKH LTD
PRE-CAST CONCRETE & METAL FABRICATION

Office

01638 713795

Email

sales@jkhLtd.co.uk

Address

Chiswick Avenue
Mildenhall
Suffolk
IP28 7AY

WWW.JKHLTD.CO.UK

