

DRAWING NOTES

- All dimensions in mm U.O.S.
- All measurements ±1mm.
- DO NOT SCALE DRAWING.

SPECIFICATION INFORMATION

- Opening in back wall cast to suit outer dimension of pipe.
- Invert level of pipe can be set to your specification.

HEADWALL INSTALLATION

Units should be bedded on minimum 150mm thick well compacted Class 6N or 6K* well graded granular material with 50mm topping of fine material (Class 6L*) to ensure units are level and stable. *Manual of contract documents for Highway Works: Volume (MCHW1) specification for Highway Works, Series 600 (Nov 09).

HANDLING

- Weight of concrete is based on 2.4 tonne/m³ +5% is recommended for sizing lifting equipment.
- All lifting points shall be used as specified below
- Unit to be lifted as per lifting diagram.

CONCRETE

- Mix ref: Self-compacting DC4 / DS4 Mix.
- Lifting strength based on 2 cubes = 20N/mm².
- Characteristic 28 day cube strength = 50N/mm².
- Concrete provides Design Chemical Class 4 (DC4) to special Digest 1, Table F2.

REINFORCEMENT

- Reinforcement to BS EN 13369.
- Scheduling, dimensions, bends & cutting to BS8666.
- Cage to be machine tied with steel wire.

MANUFACTURE

- Manufacture to BS EN 15258:2008 precast concrete products retaining wall elements, factory production control certificate 0086-CPR-650448 & BS EN 13369.
- Tolerances to BS EN 13369 clause 4.3.1.1.
- Finishing:

Class	Top	Sides	Rear	Rear of Backwall
	A	A	A	Self-Levelled

- Marking. Units shall be indelibly marked to show:
 - Mould reference code.
 - De-mould date.
 - Job reference number & unique product number.
 - Unit weight (kg).

DESIGN

- Concrete structure designed to Eurocode 2.
- JKH have designed concrete units only, the site conditions should be assessed for suitability by the scheme designer
- Units are designed to withstand a vertical live load surcharge of 10kN/m².
- Weight of soil = 18kN/m².
- Angle of internal friction = 30 Deg.
- Design Life as table below * (all cover sizes in mm).

Design Life	>50 years, 100mm Wall Thickness		>100 years, 150mm Wall Thickness	
	Min Size Cover for All Faces	Max Size Cover	Min Size Cover	Max Size Cover
All Faces	33	28	38	55
			50	63

*Design life of >100 years can be extended to >120 years with Bitumen coating application.

Exposure Classification	Exposure induced by Carbonation	Corrosion induced by Chloride	Freeze/thaw attack	Chemical attack

FABRICATION SPECIFICATION

- Manufacture IAW EN 1090-2 EXC CLASS 1
- Material grade is to be: BS EN 10025 S275
- Welding to IAW EN 1090-2 PARA 7.5.4 - 7.5.18
- All fillet & butt welds to have minimum throat thickness of 6mm and joints fully welded where possible.
- Ensure vertical flats fully welded both sides where possible
- All sharp edges and burrs are to be removed.
- Remove all weld splatter.
- Holes by punching are permitted with reaming.
- Galvanising process after fabrication to BS EN ISO1461.

HANDRAIL SPECIFICATION

- Keel Klamp® Galvanised Size 8 Fittings.
- Size 8 48.3mm OD 3.2mm Wall Thickness Galvanised Medium Duty Tube to BS EN 10255
- 360N/m Design Load as stated in BS 8118, BS 6180, BS 6399 & BS 7818, Civil Engineering Specification for the Water Industry (CESWI) 7th Edition Clause 2.60 Handrails & Balusters & The Engineering Equipment and Materials Users' Association (EEMUA) Publication 105 7th Edition Factory Stairways, Ladders and Handrails.
- Other design loads available on request.
- GRP/FRP Handrails also available.



JKH

ADDRESS: JKH LIMITED
CHISWICK AVENUE
MILDENHALL
IP28 7AY

WEBSITE: www.jkhld.co.uk
EMAIL: sales@jkhld.co.uk
TEL: 01638 713795

PROPRIETARY & CONFIDENTIAL. Information contained on this drawing is the sole property of JKH Drainage Units Ltd. Any reproduction in part or as a whole without the written permission of JKH Drainage Units Ltd is strictly prohibited.

DRAWING TITLE:

**SERIES 1000 HEADWALL (1250 HIGH)
REFLEX WINGWALL
STANDARD & OPTIONAL FEATURES**

TOTAL WEIGHT (CASTINGS ONLY): 2190 kg

CONCRETE MIX DESIGN:


ECO 1

CO² EMISSION REDUCTION ↓ -50%

DRAWN: PN | ISSUE #: 01 | SHEET #: 1 of 1 | DATE: 12/22/24
DRAWING #: 1000-1250-RW

STANDARD FEATURES

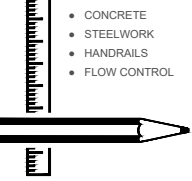
OPENING SIZE GUIDE



Ø 1020 mm
MAXIMUM OPENING

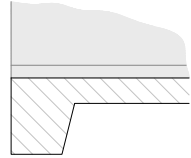
TYPICAL MAXIMUM PIPE SIZES:
PLASTIC TWINWALL I/D: Ø 750 mm
CONCRETE I/D: Ø 750 mm

CUSTOM DESIGN
BESPOKE SOLUTIONS...

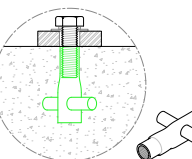


- CONCRETE
- STEELWORK
- HANDRAILS
- FLOW CONTROL

INTEGRAL TOE

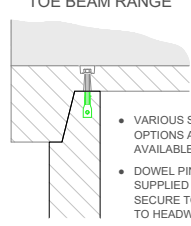


CAST-IN S/S SOCKETS
ACCURATE ALIGNMENT TO JOINT FITTINGS & OPTIONAL FEATURES



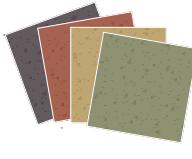
OPTIONAL FEATURES

TOE BEAM RANGE



- VARIOUS SIZE OPTIONS ARE AVAILABLE
- DOWEL PINS SUPPLIED TO SECURE TOE TO HEADWALL

CONCRETE COLOURS

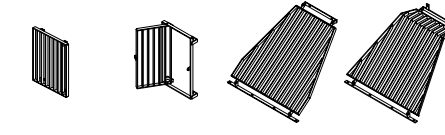


- 24 COLOURS AVAILABLE IN RANGE FOR BLENDING ITEM WITH LOCAL ENVIRONMENT

GRATINGS & TRASH SCREENS

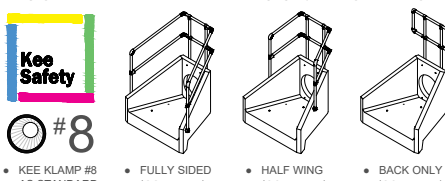
FACTORY FITTED AS STANDARD *WHERE PRACTICAL / SAFE FOR TRANSPORT

- FULLY WELDED, HOT DIP GALVANISED STEEL & S/S FIXINGS AS STANDARD



KEE KLAMP HANDRAILS

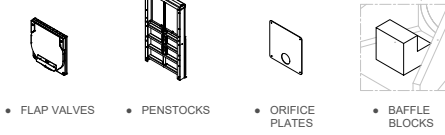
FACTORY FITTED AS STANDARD *WHERE PRACTICAL / SAFE FOR TRANSPORT



FLOW CONTROL DEVICES

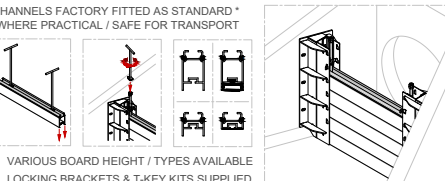
FACTORY FITTED (WHERE PRACTICAL / SAFE FOR TRANSPORT) AS STANDARD

- S/S FIXINGS & RUBBER SEALS / SEALANTS AS STANDARD

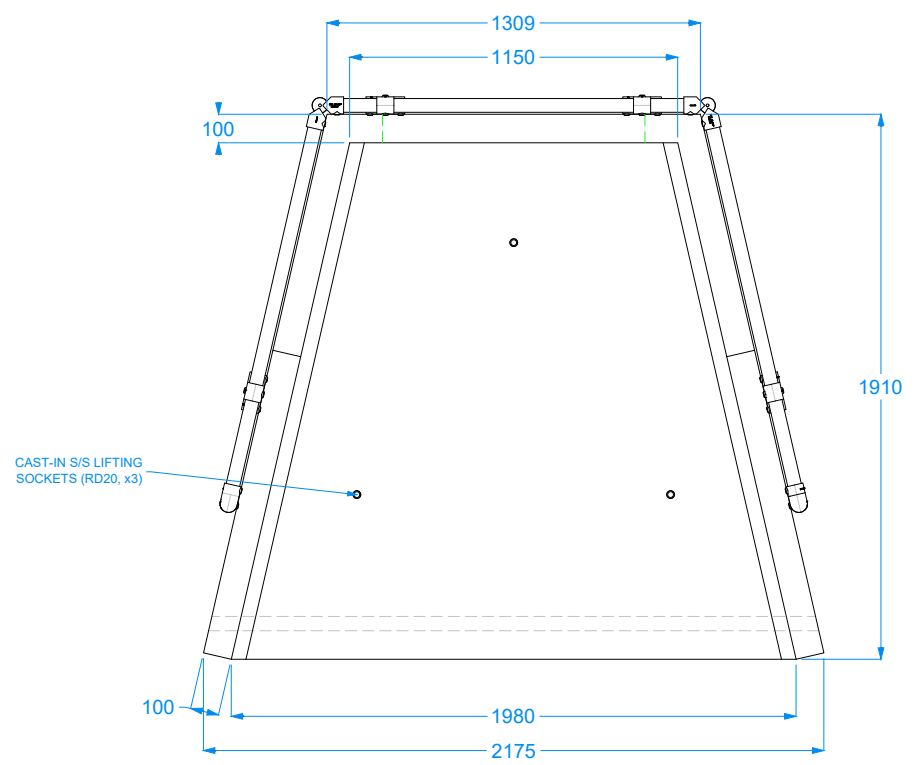


ALUMINIUM STOPLOG SYSTEM

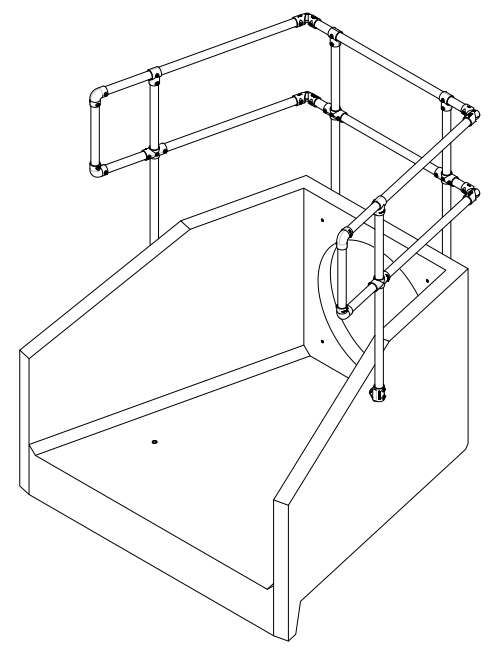
CHANNELS FACTORY FITTED AS STANDARD *WHERE PRACTICAL / SAFE FOR TRANSPORT



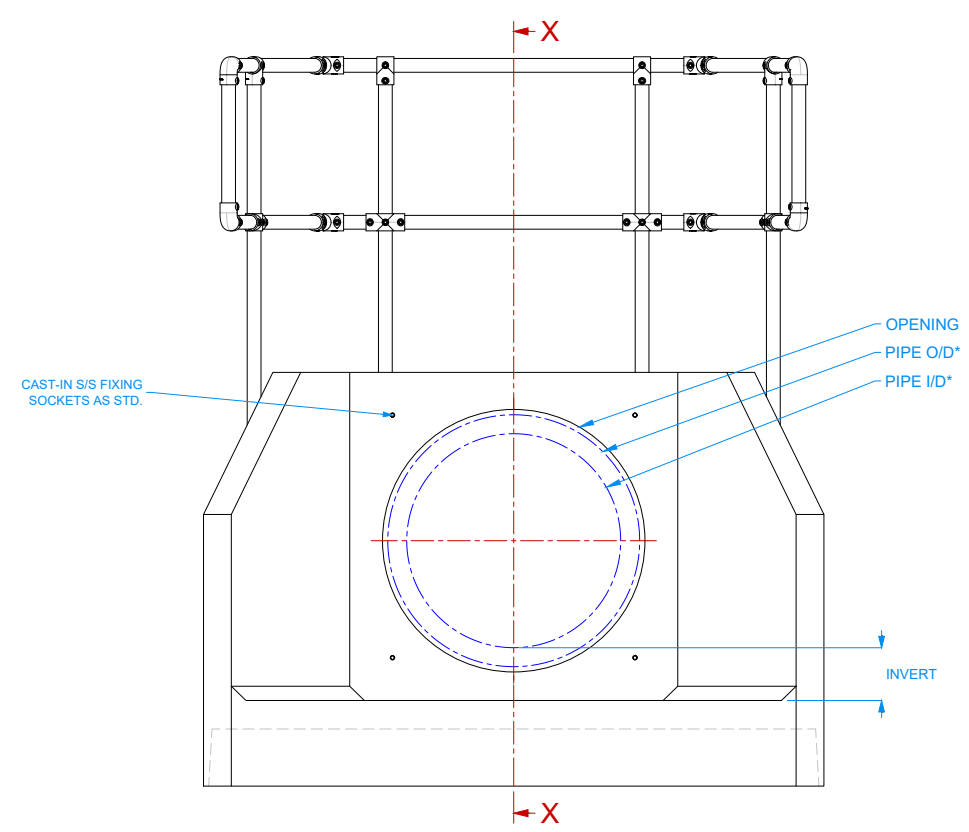
- VARIOUS BOARD HEIGHT / TYPES AVAILABLE
- LOCKING BRACKETS & T-KEY KITS SUPPLIED, S/S FIXINGS & RUBBER SEALS AS STANDARD



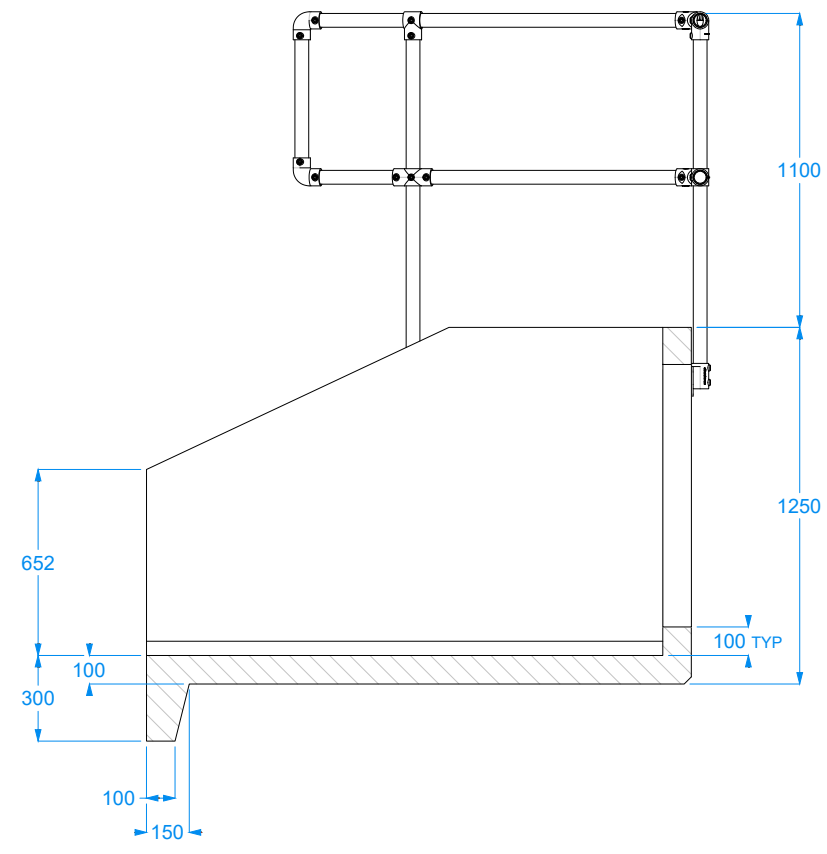
VIEW: TOP



VIEW: ISOMETRIC



VIEW: FRONT



VIEW: SECTION X-X