

DRAWING NOTES

- All dimensions in mm U.O.S.
- All measurements ±1mm.
- DO NOT SCALE DRAWING.

SPECIFICATION INFORMATION

- Opening in back wall cast to suit outer dimension of pipe.
- Invert level of pipe can be set to your specification.

HEADWALL INSTALLATION

Units should be bedded on minimum 150mm thick well compacted Class 6N or 6K* well graded granular material with 50mm topping of fine material (Class 6L*) to ensure units are level and stable.

*Manual of contract documents for Highway Works: Volume (MCHW1) specification for Highway Works, Series 600 (Nov 09).

HANDLING

A. Weight of concrete is based on 2.4 tonne/m³ +5% is recommended for sizing lifting equipment.

B. All lifting points shall be used as specified below.

C. Unit to be lifted as per lifting diagram.

CONCRETE

A. Mix ref: Self-compacting DC4 / DS4 Mix.

B. Lifting strength based on 2 cubes = 20N/mm².

C. Characteristic 28 day cube strength = 50N/mm².

D. Concrete provides Design Chemical Class 4 (DC4) to special Digest 1, Table F2.

REINFORCEMENT

A. Reinforcement to BS EN 13369.

B. Scheduling, dimensions, bends & cutting to BS8666.

C. Cage to be machine tied with steel wire.

MANUFACTURE

A. Manufacture to BS EN 15258:2008 precast concrete products retaining wall elements, factory production control certificate 0086-CPR-650448 & BS EN 13369.

B. Tolerances to BS EN 13369 clause 4.3.1.1.

C. Finishing:

Class	Top	Sides	Rear	Rear of Backwall
	A	A	A	Self-Levelled

D. Marking. Units shall be indelibly marked to show:

- Mould reference code.
- De-mould date.
- Job reference number & unique product number.
- Unit weight (kg).

DESIGN

A. Concrete structure designed to Eurocode 2.

B. JKH have designed concrete units only, the site conditions should be assessed for suitability by the scheme designer.

C. Units are designed to withstand a vertical live load surcharge of 10kN/M².

D. Weight of soil = 18kN/M².

E. Angle of internal friction = 30 Deg.

F. Design Life as table below * (all cover sizes in mm).

Design Life	>50 years, 100mm Wall Thickness			>100 years, 150mm Wall Thickness		
	Block Size Cover	Min Size Cover	Max Size Cover	Block Size Cover	Min Size Cover	Max Size Cover
Minimum Cover for All Faces	33	28	38	55	50	63

Exposure Classification	Exposure induced by Carbonation		Corrosion induced by Chloride		Freeze/thaw attack		Chemical attack	
	All Faces	XC3/4	XD3	XF4	XA3	XB3	XC3	XD3

FABRICATION SPECIFICATION

A. Manufacture IAW EN 1090-2 EXC CLASS 1

B. Material grade is to be: BS EN 10025 S275

C. Welding to IAW EN 1090-2 PARA 7.5.4 - 7.5.18

D. All fillet & butt welds to have minimum throat thickness of 6mm and joints fully welded where possible.

E. Ensure vertical flats fully welded both sides where possible.

F. All sharp edges and burrs are to be removed.

G. Remove all weld splatter.

H. Holes by punching are permitted with reaming.

I. Galvanising process after fabrication to BS EN ISO1461.

HANDRAIL SPECIFICATION

A. Kee Klamp® Galvanised Size 8 Fittings.

B. Size 8 48.3mm OD 3.2mm Wall Thickness Galvanised Medium Duty Tube to BS EN 10255.

C. 360N/m Design Load as stated in BS 8118, BS 6180, BS 6399 & BS 7818, Civil Engineering Specification for the Water Industry (CESWI) 7th Edition Clause 2.60 Handrails & Balusters & The Engineering Equipment and Materials Users' Association (EEMUA) Publication 105 7th Edition Factory Stairways, Ladders and Handrails.

D. Other design loads available on request.

E. GRP/FRP Handrails also available.



ADDRESS: JKH LIMITED
CHISWICK AVENUE
MILDENHALL
IP28 7AY

WEBSITE: www.jkhld.co.uk
EMAIL: sales@jkhld.co.uk
TEL: 01638 713795

PROPRIETARY & CONFIDENTIAL. Information contained on this drawing is the sole property of JKH Drainage Units Ltd. Any reproduction in part or as a whole without the written permission of JKH Drainage Units Ltd is strictly prohibited.

DRAWING TITLE:

SERIES 2000 HEADWALL (1250 HIGH) STANDARD & OPTIONAL FEATURES

TOTAL WEIGHT (CASTINGS ONLY): **2645 kg**

CONCRETE MIX DESIGN:

ECO 1

CO² EMISSION REDUCTION **-50%**

DRAWN: PN | ISSUE #: 01 | SHEET #: 1 of 1 | DATE: 12/22/24
DRAWING #: 2000-1250

STANDARD FEATURES

OPENING SIZE GUIDE

Ø 1020 mm
MAXIMUM OPENING

TYPICAL MAXIMUM PIPE SIZES*
PLASTIC TWINWALL I/D: Ø 750 mm
CONCRETE I/D: Ø 750 mm

CUSTOM DESIGN BESPOKE SOLUTIONS...

- CONCRETE
- STEELWORK
- HANDRAILS
- FLOW CONTROL

INTEGRAL TOE

CAST-IN S/S SOCKETS
ACCURATE ALIGNMENT TO JOINT FITTINGS & OPTIONAL FEATURES

OPTIONAL FEATURES

TOE BEAM RANGE

- VARIOUS SIZE OPTIONS ARE AVAILABLE
- DOWEL PINS SUPPLIED TO SECURE TOE TO HEADWALL

CONCRETE COLOURS

24 COLOURS AVAILABLE IN RANGE FOR BLENDING ITEM WITH LOCAL ENVIRONMENT

GRATINGS & TRASH SCREENS

FACTORY FITTED AS STANDARD *WHERE PRACTICAL / SAFE FOR TRANSPORT

- FULLY WELDED, HOT DIP GALVANISED STEEL & S/S FIXINGS AS STANDARD

KEE KLAMP HANDRAILS

FACTORY FITTED AS STANDARD *WHERE PRACTICAL / SAFE FOR TRANSPORT

- KEE KLAMP #8 AS STANDARD
- FULLY SIDED (CODE: K30)
- HALF WING (CODE: K50)
- BACK ONLY (CODE: K30)

FLOW CONTROL DEVICES

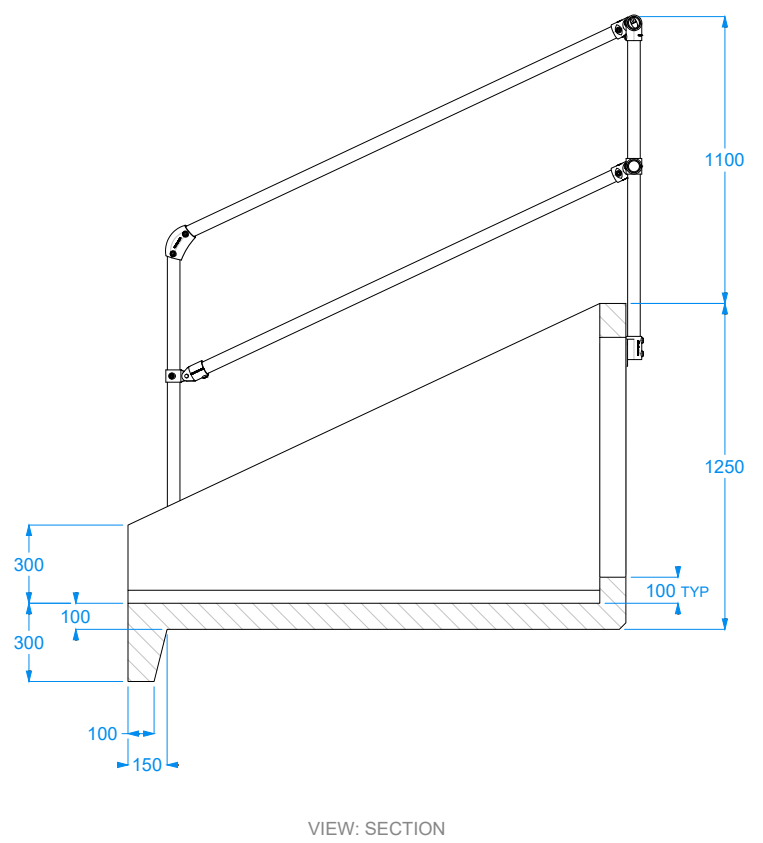
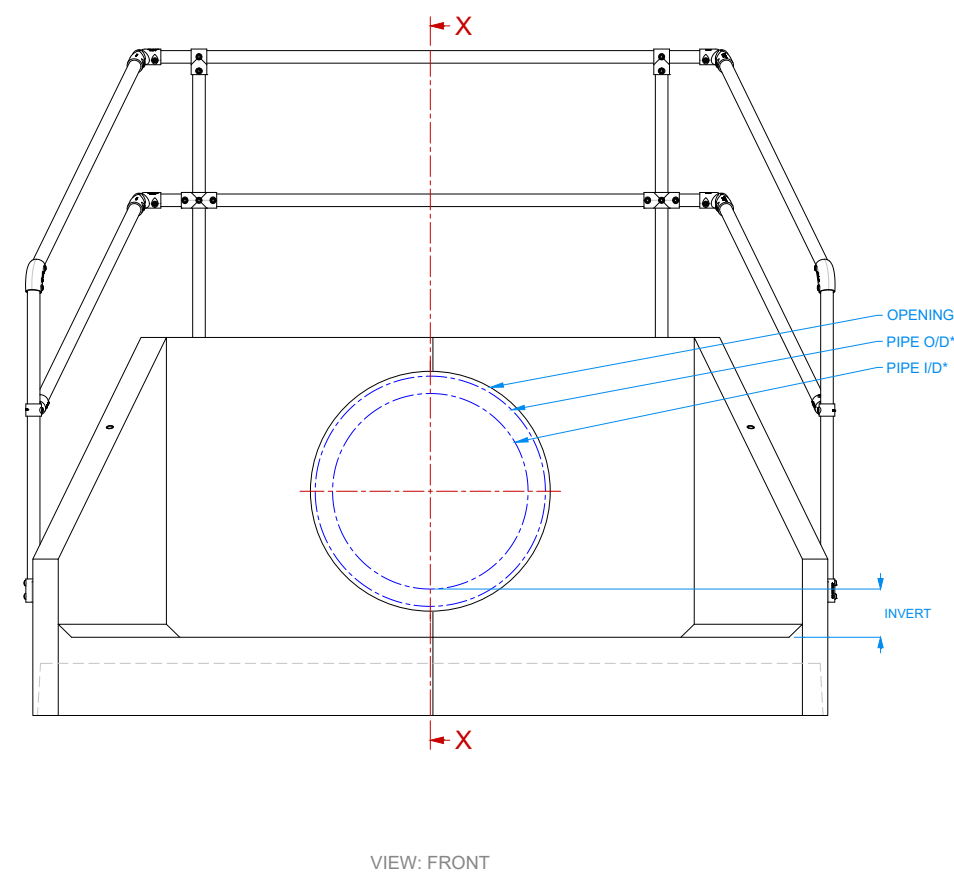
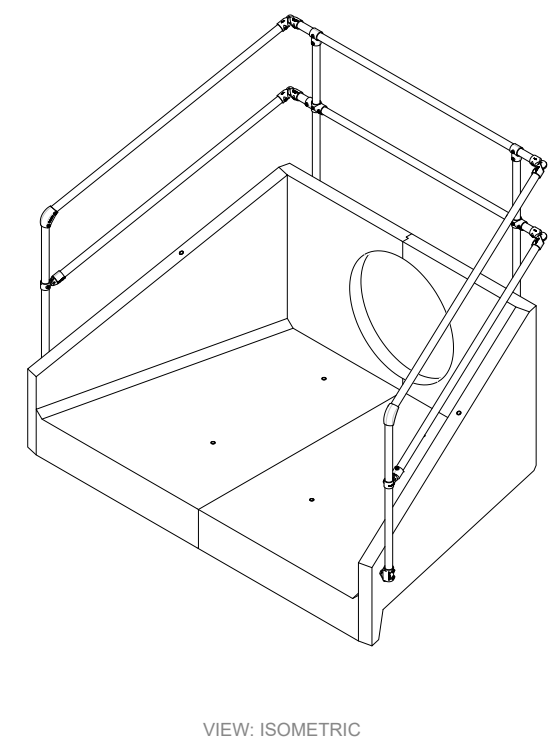
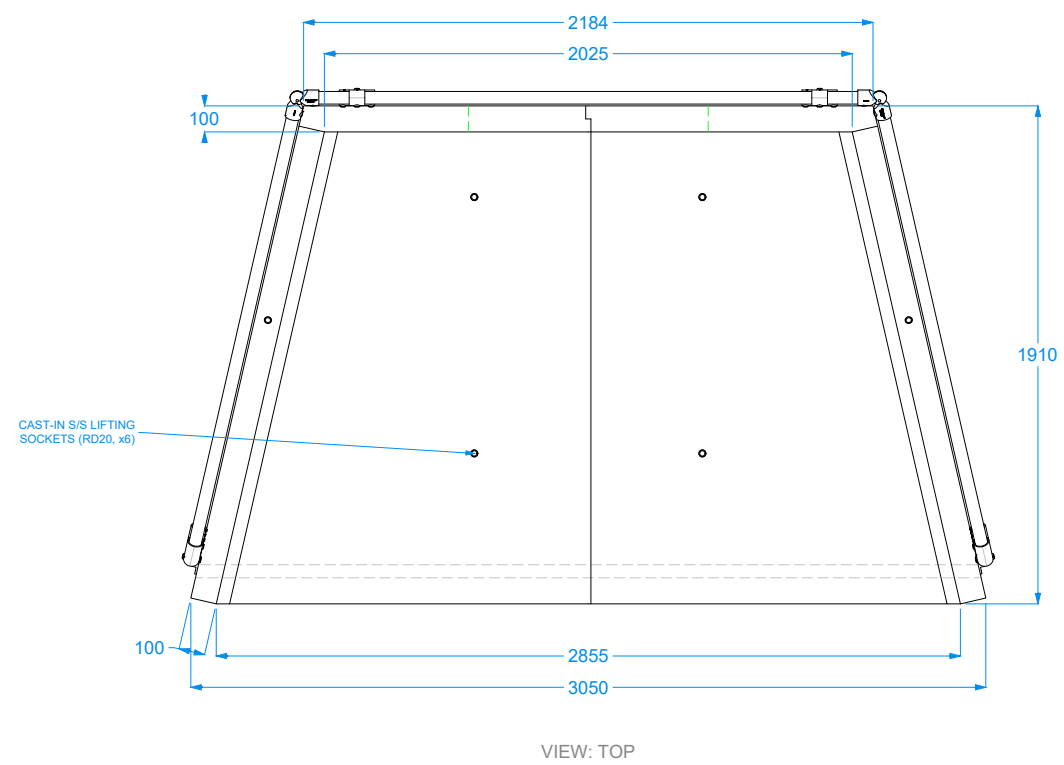
FACTORY FITTED (WHERE PRACTICAL / SAFE FOR TRANSPORT) AS STANDARD

- S/S FIXINGS & RUBBER SEALS / SEALANTS AS STANDARD

ALUMINIUM STOPLOG SYSTEM

CHANNELS FACTORY FITTED AS STANDARD *WHERE PRACTICAL / SAFE FOR TRANSPORT

- VARIOUS BOARD HEIGHT / TYPES AVAILABLE
- LOCKING BRACKETS & T-KEY KITS SUPPLIED.
- S/S FIXINGS & RUBBER SEALS AS STANDARD



ECO 1

CO² EMISSION REDUCTION **-50%**